

Assure Lever



Upgrade your existing lever or knob with the Assure Lever, a smart lever lock with a sleek keypad for key-free entry. Never worry about carrying or losing your house keys again! Create unique entry codes for friends and family and remove codes whenever you need to. It's great for side entry doors, garage entry, basement doors, home offices - super easy to use and installs in minutes with just a screwdriver on doors with a single hole (no deadbolt).

The Yale Assure Lever comes with the C4 Keyway, enabling customers to customise this lock keyed-alike.

Works with your Smart Home

The Assure Lever comes with a Yale Home module, allowing you to lock/unlock, share access, and see who comes and goes, all using your Yale Home App and Apple HomeKit at your door! For ultimate convenience, your Assure Lever will unlock automatically as you approach the door and relock once the door is closed! Plus, you can upgrade with the Yale Connect Plus Wi-Fi Bridge (sold separately) to access your lock remotely and enjoy voice assistant capability. Easily integrate it into your Google, Siri, Samsung, or Alexa-enabled smart home devices. The Assure Lever is also compatible with other Yale Modules (Z-Wave Plus and ZigBee*) to integrate into most home automation systems, allowing you to control and monitor the lock from anywhere in the world.

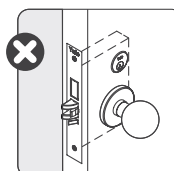
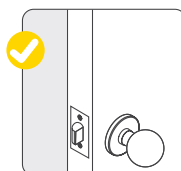
*Z-wave and Zigbee Modules are sold separately

Features & Specifications

- Yale Home Module included
- Total Control via Yale Home App
- Auto Unlock
- Tailor user access
- Lock alert
- 24/7 Lock Activity Trails
- Door position sensor
- Home automation integration capabilities with Yale Network Module
- C4 Keyway, convenient for keyed-alike
- Simple installation
- Mechanical key override
- Suitable for standard 54mm timber bore hole
- Fits standard doors 35mm- 45mm thick
- Adjustable 60-70mm backset deadlatch
- Available in Matt Black and Satin Chrome finishes



Door Compatibility

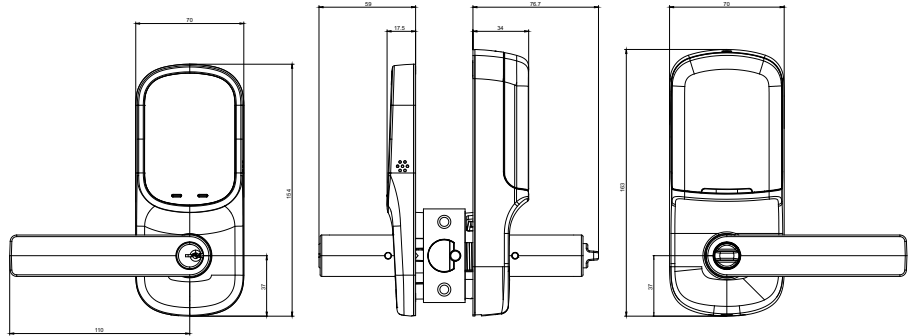


Assure Lever



Exterior

Interior

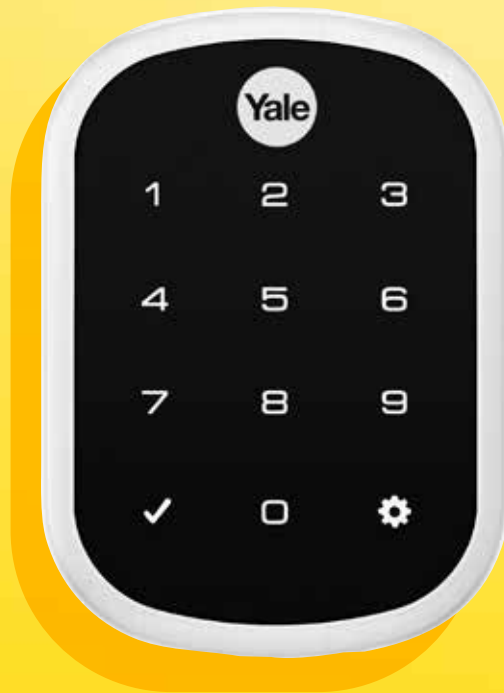


Exterior

Interior

Description	Part Number
Yale Assure Keyed Lever Matt Black	YRL226HKMBK
Yale Assure Keyed Lever Satin Chrome	YRL226HKSC

Assure Lock[®] SL



Tired of fumbling around for your keys? Imagine a lock that automatically unlocks as you approach. With the Yale Assure Lock SL, seamless entry is your key.

Adding the Yale Connect Plus Wi-Fi Bridge* to your Assure Lock[®] SL allows you to access your lock remotely. Lock and unlock, change PIN codes and lock settings remotely. The Connect Plus Wi-Fi Bridge* allows you to work with Amazon Alexa, Hey Google and more.

Works with your Smart Home

The Assure Lock SL can be upgraded with a Yale Module (Z-Wave Plus and ZigBee**) to integrate into most home automation systems so that you can control and monitor the lock from anywhere in the world.

*Yale Connect Plus Bridge sold separately

**Modules are sold separately

Features & Specifications

- Yale Home Module included
- Total Control via Yale Home App
- Auto unlock/lock
- Tailor user access
- 24/7 Lock activity trails
- Door Position Sensor
- 100% Keyfree
- Suitable for standard 54mm timber bore hole
- Adjustable 60-70mm backset deadbolt
- 4 x AA Alkaline Batteries
- 9V battery backup
- Home automation integration capabilities with Yale Network Module
- Available in Satin Chrome and Matt Black finishes
- Fits on standard timber door 35mm to 57mm thick



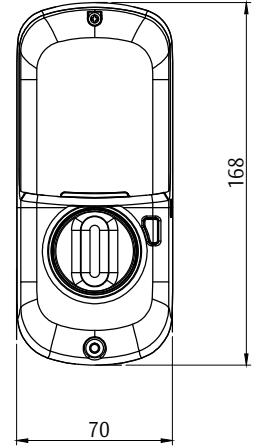
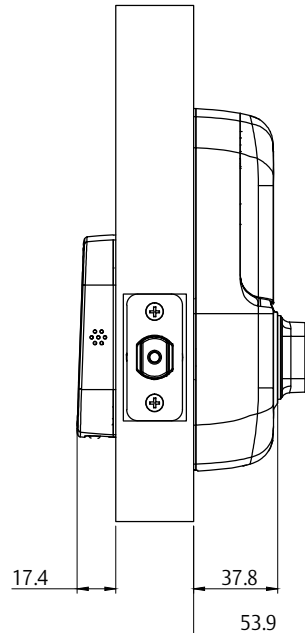
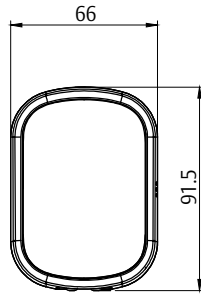
Assure Lock[®] SL



Exterior



Interior



Exterior



Interior

Description	Part Number
Yale Assure Lock SL Satin Chrome	YRD256HKSC
Yale Assure Lock SL Matt Black	YRD256HKMBK

Assure Lock® Keyed



Tired of fumbling around for your keys? Imagine a lock that automatically unlocks as you approach. With the Yale Assure Lock Keyed, seamless entry is your key.

Adding the Yale Connect Plus Wi-Fi Bridge* to your Assure Lock® Keyed allows you to access your lock remotely. Lock and unlock, change PIN codes and lock settings remotely. The Connect Plus Wi-Fi Bridge* allows you to work with Amazon Alexa, Hey Google and more.

The Yale Assure Lock digital deadbolt can be upgraded with a Yale module (Z-Wave Plus** and ZigBee**) to seamlessly integrate into most home automation and alarm systems.

*Yale Connect Plus Bridge sold separately
**Modules are sold separately

Features & Specifications

- Yale Home Module included
- Total Control via Yale Home App
- Auto unlock/lock
- Tailor user access
- 24/7 Lock activity trails
- Door Position Sensor
- 100% Keyfree
- Mechanical key override
- Suitable for standard 54mm timber bore hole
- Adjustable 60-70mm backset deadbolt
- 4 x AA Alkaline Batteries
- Home automation integration capabilities with 'Yale Network Module'
- Available in Satin Chrome and Matt Black finishes
- Fits on standard timber door 35mm to 57mm thick



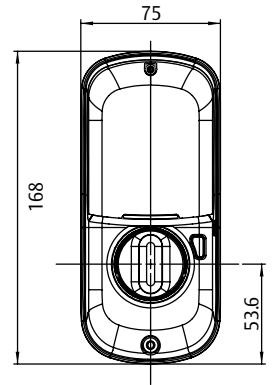
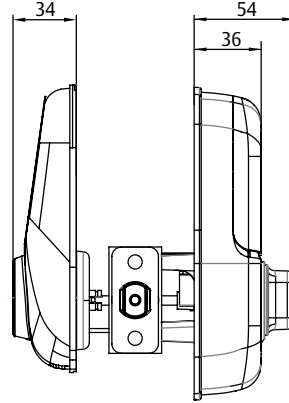
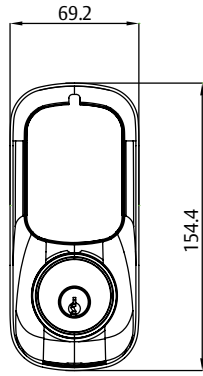
Assure Lock[®] Keyed



Exterior



Interior



Exterior



Interior

Description	Part Number
Yale Assure keyed electronic digital deadbolt satin chrome	YRD226HKSC
Yale Assure keyed electronic digital deadbolt Matt Black	YRD226HKMBK

Yale Home Module



The Yale Home module allows users with an Assure Series lock to utilise the functions and features of the Yale Home App.

In four simple steps, you can access the features within minutes:

Step 1: Install the Yale Home Module into the back of an Assure Lock

Step 2: Install the door sense to your door jam

Step 3: Download the Yale Home App.

Step 4: Upgrade with Yale Connect Plus Bridge* for remote access (optional)

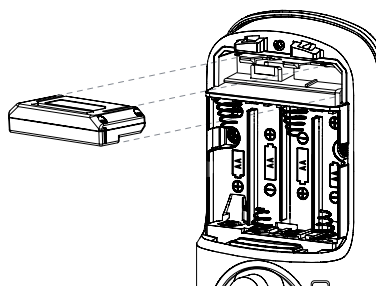
The Yale Home module enables features such as 24/7 lock activity, auto unlock, and autolock. It is also compatible for use with the Yale Connect Plus Bridge* to gain the ability of remote access. Yale's door position sensor checks the status of the door and tells you if your door is securely closed and locked. This avoids inadvertently locking your door whilst the door is open.

Suitable for Assure series locks, this is a quick and simple solution to the first of your smart home devices or to add to an existing solution.

*Yale Connect Plus Bridge is sold separately

Features and Specifications

- Total control via the App
- Remote access
- Auto unlock/lock
- Door position sensor
- Tailor user access
- 24/7 Lock Activity trails



Supported on the Yale Assure Lock Series.

Yale Home Module



Description	Part Number
-------------	-------------

Yale Home Module	YD-MD01
------------------	---------

*Compatible with Yale Assure series

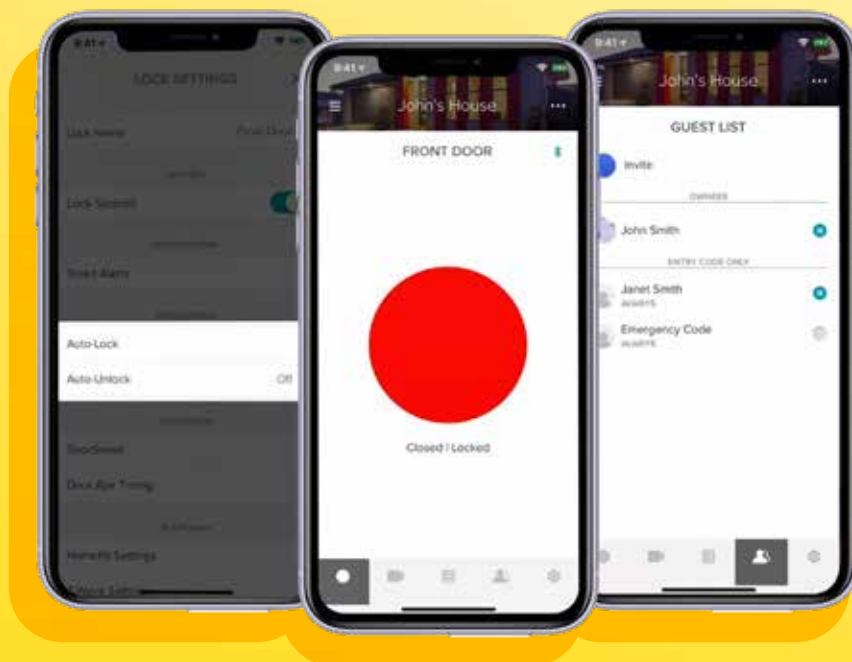
Technical Specifications	
--------------------------	--

Compliance	Regulatory Compliance Mark (RCM) for Australia and New Zealand
Communication	Bluetooth V4.2
Operating Temperature	0-40°C
Operating Humidity	10-85%
Finish	Matt white

Yale Home App



Yale Home



Yale Home is Yale's global digital locking solution for the residential market. Yale smart locks can be controlled through the use of the Yale Home App, giving you total control over your lock. Lock and unlock your door, grant access to others and keep track of visitor access all via your mobile device.

With 24/7 lock activity, you can see who accessed your lock and when. Using Bluetooth, Wi-Fi, GPS and the Yale Home App, the auto unlock function unlocks your door as you approach.

Yale's Door Position Sensor checks the status of the door and tells you if your door is securely closed and locked. This avoids inadvertently locking your door while the door is open.

With a Yale lock connected to the Yale Connect Plus Wi-Fi Bridge* you can lock and unlock your door remotely and change PIN codes and lock settings remotely. By integrating the bridge into your home automation system, you can turn your lights on when your door unlocks or even play your favourite music.

The Yale Connect Plus Wi-Fi Bridge also enables voice assistant and can integrate into your Google, Samsung or Alexa smart home devices.

When connecting the Yale Smart Keypad* to your lock, you can lock and unlock your door via the keypad. Connected via Bluetooth to the lock, you can create unique entry codes to unlock your lock without a traditional key or phone. The keypad is easy to mount outside your door, without the need to hard-wire.

The Yale Home App is a seamless and simple method of controlling and monitoring your lock for peace of mind and security.

*Products Sold Separately

Features and Specifications

- Total control via the App
- Remote access
- Auto unlock/lock
- Door position monitoring
- Voice assistant compatible
- Tailor user access
- 24/7 Lock Activity trails