



AVC-NSZ21X25LW

NDA
COMPLIANT | CE | FC

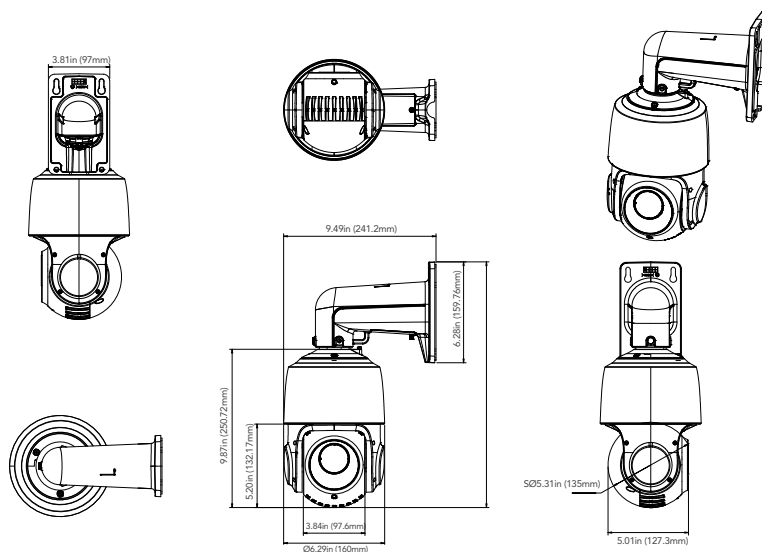
2MP 25X NETWORK IR SPEED DOME CAMERA

OVERVIEW

- 2MP (1920 x 1080) @ 30fps
- Max. resolution: 1920 x 1080
- H.265+/H.265, H.264+/H.264, MJPEG Encoding
- Day & Night IR cut filter
- Motorized 5.0 - 125mm Lens (F1.5)
- 3D DNR, WDR, HLC, BLC and ROI Encoding
- Intelligent Analytics
- Built-in micro SD card slot, up to 256GB
- Up to 328ft IR distance
- IP66 Certification
- DC12V/PoE power supply
- Support remote monitoring by AVYCON ONE (Mobile APP) and AVYCON CMSONE (CMS)

DIMENSIONS

Unit : inch(mm)



OPTIONAL ACCESSORIES



AVM-PT-CMT-PM-L1
CEILING MOUNT



AVM-CRM-A1
CORNER MOUNT
BRACKET



AVM-P-POM-A2
POLE MOUNT
BRACKET

SPECIFICATIONS

VIDEO	
Imaging Device	1/2.8" Progressive CMOS
Resolution	Main Stream : 50 Hz: 25 fps (1920x1080, 1280x960, 1280x720); 60 Hz: 30 fps (1920x1080, 1280x960, 1280x720) Sub Stream : 50 Hz: 25 fps (640x480, 320x240); 60 Hz: 30 fps (640x480, 352x240) Mobile Stream : 50 Hz: 25 fps (320x240); 60 Hz: 30 fps (320x240)
Max. Framerate	Main Stream: Max. 30fps (60Hz/50Hz) Sub Stream : Max. 30fps (60Hz/50Hz) Mobile Stream : Max. 30fps (60Hz/50Hz)
Min. Illumination	Color: 0.002 Lux @ (F1.6, AGC ON) B/W: 0 Lux with IR
Video Out	N/A
LENS	
Focal Length (Zoom Ratio)	5.0 mm to 125 mm
Max. Aperture Ratio	F1.5
Angular Field of View	Horizontal: 56.9°(W)~2.9°(T), Vertical: 32.2°(W)~1.6°(T), Diagonal: 65.2°(W)~3.3°(T)
Min. Object Distance	2.62ft (0.8M) (Wide) ~ 3.28ft (1M) (Tele)
Focus Control	Auto, Manual
Lens Type	Motorized
PAN / TILT / ROTATE	
Pan / Tilt / Rotate Range	360° / -10° to 90° (auto flip)
OPERATIONAL	
Camera Title	Title Displayed up to 32 characters
Day & Night	IR cut filter
Backlight Compens	BLC, HLC, WDR
Digital Noise Reduction	3D DNR
Digital Image Stabilization	N/A
Motion Detection	Rectangle Grid (8 Levels of Sensitivity)
Privacy Masking	4 Rectangle Zones
Gain Control	AUTO
White Balance	AUTO / MANUAL
LDC	N/A
Electronic Shutter Speed	AUTO / Manual (1/5 ~ 1/20000s)
Video Rotation	Flip / Mirror
Analytics	Face Detection (FD) Pedestrian&Vehicle Detection (PD&VD) Intrusion Detection (ID) Line Crossing Detection (TD) Tripwire Counting (TC) Stationary Object Detection (OBJ) Heat Map (HM) Crowd Density Detection (CD) Queue Length Detection (QD) License Plate Detection (LPD) Rare Sound Detection (RSD)
Alarm I/O	1 Input, 1 Output
Alarm Triggers	Motion, Sound Detection, Alarm
Alarm Events	Notification via E-mail, Image file upload via FTP, Video file upload via FTP, Image file upload to Cloud (Dropbox), Video file upload to Cloud (Dropbox), Micro SD recording at event triggered, Event Push via HTTP / UDP
Audio In	1 Line-In (RCA)
Audio Out	1 Line-Out (RCA)
IR Viewable Length	328.1ft (100M)
NETWORK	
Ethernet	RJ45(10/100BASE-T)
Video Compression	H.265+/H.265 Main Profile, H.264+/H.264 High Profile, MJPEG(Sub Stream Only)
Audio Compression	G.711a / G.711u
Smart Codec	
Bitrate Control	CBR or VBR (256Kbps ~ 8Mbps)
Streaming	Unicast/Multicast
Protocol	IPv4/IPv6, HTTP, HTTPS, FTP, SMTP, UPnP, SNMP, DNS, DDNS, NTP, RTSP, TCP/IP, UDP, DHCP, PPPoE
Security	Password protection, complicated password, HTTPS encryption, IP address filter, control timeout settings
Application Programming Interface	ONVIF Profile S/G/T, Http API
GENERAL	
Webpage Language	English, Korean
Edge Storage	Micro SD/SDHC/SDXC Slot (256GB)
Memory	N/A
ENVIRONMENTAL & ELECTRICAL	
Operating Temperature / Humidity	-30 °C to 60 °C (-22 °F to 149 °F). Humidity 90% or less (non-condensing)
Storage Temperature / Humidity	
Certification	IP66
Input Voltage	PoE(IEEE802.3at) /12VDC
Power Consumption	22 W
MECHANICAL	
Color / Material	White / Metal
Product Dimensions / Weight	Ø6.30x10.63in(160x270mm) / 5.51lbs (2499g)
DORI (EN62676-4 STANDARD)	
Detect (25PPM/ 8PPF)	
Observe (63PPM/ 19PPF)	
Recognize (125PPM/ 38PPF)	
Identify (250PPM/ 76PPF)	