

# Multi-imager Panoramic IP Camera



Works with  
TruVision®  
Navigator



## Overview

The TruVision multi-imager camera features four individual repositionable camera sensors of each 5 megapixel with individual motorised zoom lenses. One multi-imager camera can be used to cover large areas by delivering panoramic views up to 360° offering a cost-effective, easy-to-install solution which would typically require multiple high-resolution cameras. Combining H.265 compression with low light sensitivity generates crisp images in challenging lighting conditions.

## Video Intelligence

The built-in video analytics can automatically inform operators when certain events are happening or help them to easily find recorded events afterwards using VCA search when the camera is used in combination with TruVision NVRs and TruVision Navigator software. Video intelligence features include, among others, line crossing detection, intrusion detection, region entry/exit detection and more.

## Reduced operational and installation cost

Installing multiple traditional cameras requires individual cabling for every camera, an individual network connection and a license per camera channel in a Video Management System. The TruVision multi-imager camera with 4 internal repositionable cameras reduces cost of cabling, network connections and requires only one camera channel VMS license. Like with all other TruVision cameras, no camera license is required when using TruVision Navigator software to manage your video.

## Standard Features

- Non-stitched 20MP resolution (4x 5MP)
- Four repositionable cameras
- H.265 compression with triple-streaming functionality
- Four motorised zoom lenses of 2.8 to 12 mm
- Motorised IR Cut Filter
- ONVIF Profile G and S
- Up to 30 m IR illumination
- 120 dB Wide Dynamic Range
- Rich video intelligence features
- IP67 and IK10 environmental rating

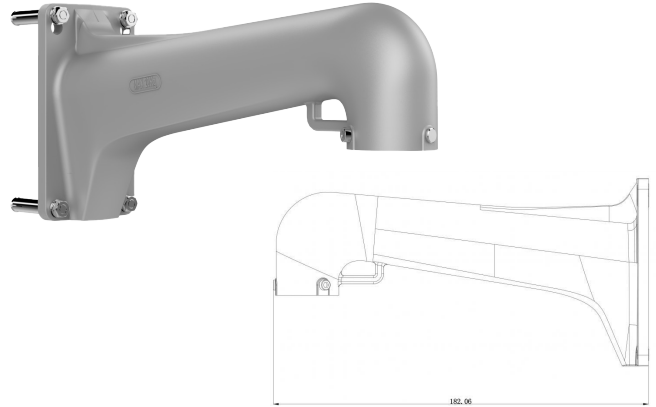
# Accessories

## TruVision Multi-imager camera wall mount

The TruVision (TVMI-WM) Wall Mount bracket allows multi-imager camera TVS-5101 to be installed on a wall. The cable harness of the camera can be routed through the wall bracket.

- Compatible with TVS-5101 TruVision multi-imager camera
- Aluminium alloy material with surface spray treatment
- Hook for connecting cup base safety lanyard

General	Bracket type	Camera
	Camera support type	TruVision 360 degrees cameras
	Bracket mounting part	Mounting bracket
	Mount type	Wall mount
	Cable management	Yes
Physical	Physical dimensions	364.1 x 182 mm
	Net weight	1400 g
	Colour	Grey (Pantone 428c)
	Material	Aluminium

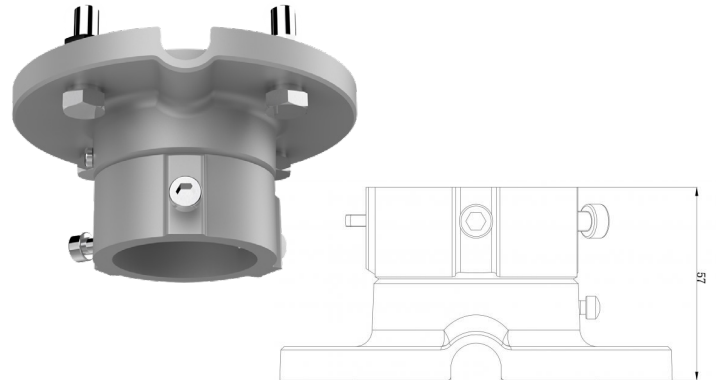


## TruVision Multi-imager Pendant Mount bracket, 57 mm

The TruVision (TVMI-PM) Pendant Mount bracket allows multi-imager camera TVS-5101 to be installed on a ceiling. Additional extension elements are available to increase distance between camera and ceiling.

- Compatible with TVS-5101 TruVision multi-imager camera
- Aluminium alloy material with surface spray treatment

General	Bracket type	Camera
	Camera support type	TruVision 360 degrees cameras
	Bracket mounting part	Mounting bracket
	Mount type	Pendant mount
	Cable management	Yes
Physical	Physical dimensions	116.5 x 57 mm
	Net weight	380 g
	Colour	Grey (Pantone 428c)
	Material	Aluminium

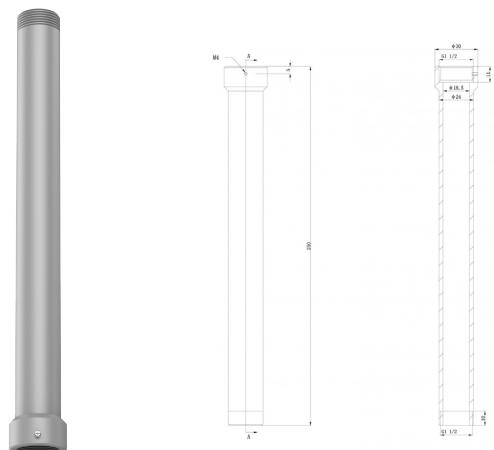


## TruVision Multi-imager Pendant Mount extension pipe, 500 mm

The TruVision (TVMI-PMA) extension pipe can be used in combination with multi imager pendant mount adapters TVMI-PM2 and TVMI-PM3.

- Compatible with TruVision multi-imager pendant mount brackets
- Aluminium alloy material with surface spray treatment

General	Bracket type	Camera
	Camera support type	TruVision 360 degrees cameras
	Bracket mounting part	Mounting adapter, Mounting bracket
	Mount type	Pendant mount
	Cable management	Yes
Physical	Physical dimensions	60 x 500 mm
	Net weight	505 g
	Colour	Grey (Pantone 428c)
	Material	Aluminium

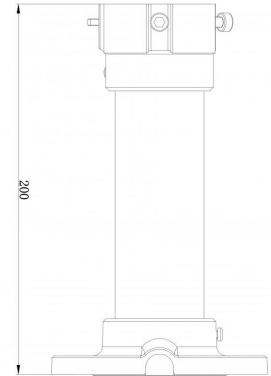


### TruVision Multi Imager Pendant Mount bracket, 200 mm

The TruVision (TVMI-PM2) Pendant Mount bracket allows multi-imager camera TVS-5101 to be installed on a ceiling.

- Compatible with TVS-5101 TruVision multi-imager camera
- Aluminium alloy material with surface spray treatment

General	Bracket type	Camera
	Camera support type	TruVision 360 degrees cameras
	Bracket mounting part	Mounting bracket
	Mount type	Pendant mount
Physical	Cable management	Yes
	Physical dimensions	116.5 x 200 mm
	Net weight	600 g
	Colour	Grey (Pantone 428c)
	Material	Aluminium

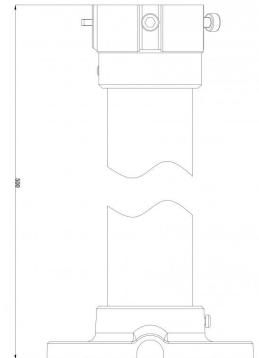


### TruVision Multi Imager Pendant Mount bracket, 500 mm

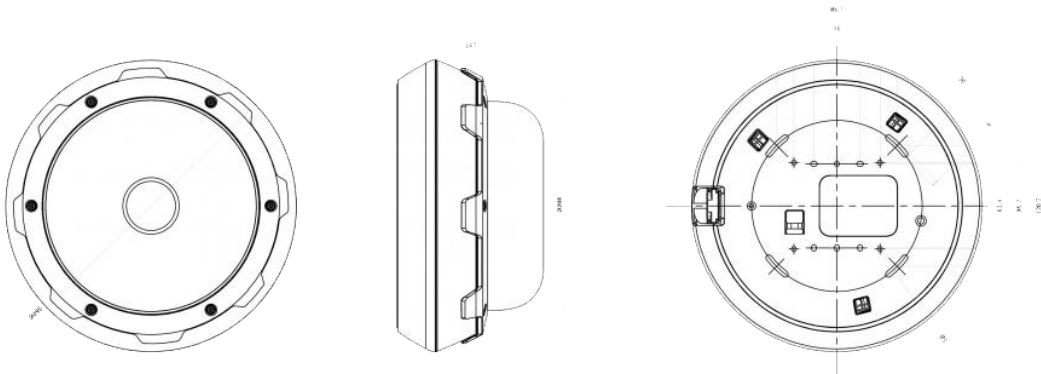
The TruVision (TVMI-PM3) Pendant Mount bracket allows multi-imager camera TVS-5101 to be installed on a ceiling.

- Compatible with TVS-5101 TruVision multi-imager camera
- Aluminium alloy material with surface spray treatment

General	Bracket type	Camera
	Camera support type	TruVision 360 degrees cameras
	Bracket mounting part	Mounting bracket
	Mount type	Pendant mount
Physical	Cable management	Yes
	Physical dimensions	116.5 x 500 mm
	Net weight	960 g
	Colour	Grey (Pantone 428c)
	Material	Aluminium



### Dimensional Diagram



# Multi-imager Panoramic IP Camera

Interlogix Australia  
National Sales Enquiries  
1300 361 479

10 Ferntree Place  
Notting Hill, Victoria 3168  
T: +61 3 9239 1200  
W: www.interlogix.com.au

## Specifications

General	Technology	IP
	Video Standard	PAL
	Image settings	DE-Fog, Hallway View, Mirror
	Privacy masking	4 areas per camera channel
	Software Compatibility	Milestone XProtect, OnGuard, TruVision Navigator, TVRmobile, UltraView, Web Browser
Camera	Sensor Size	1/2.7"
	Max. resolution	20 MP
	Sensor scan	Progressive
	Shutter type	CMOS
	Shutter time	1 to 1/100,000 s
Lighting performance	WDR	120 dB
	Digital noise reduction	30 DNR
	Day/night	True Day/Night
	Motorized IR cut filter	Yes
	Colour sensitivity	0.006 Lux @ (F1.2, AGC ON), 0.010 Lux @ (F1.6, AGC On)
	B/W sensitivity	0.002 Lux @ (F1.2, AGC ON); 0.003 Lux @ (F1.6, AGC On), 0 Lux with IR on
	B/W trigger	Day/Night/Auto day-night/Schedule/Triggered by alarm input
	Infrared (IR)	Yes
	IR range	up to 30 m
	IR wavelength	850 nm
	IR control	Individual controllable IR LEDs (1 to 4)
	Encoding	Video streams
Main stream compression		H.264, H.265
Sub stream compression		H.264, H.265, MJPEG
Third stream compression		H.264, H.265
Video bit rate		32 to 16 Mbps
Main stream resolutions		1280 x 720 (XVGA), 1920 x 1080 (1080p), 2048 x 1536 (QXGA), 2560 x 1920
Sub stream resolutions		640 x 480 (VGA), 704 x 576 (4CIF)
Third stream resolutions		640 x 480 (VGA), 704 x 576 (4CIF)
Lens	Max. resolutions @ fps	640 x 480 (VGA), 704 x 576 (4CIF)
	Lens type	Varifocal motorised
	Focal length	2.8 to 12 mm (horizontal FoV: 30 to 101°, vertical FoV: 22.4 to 73° diagonal FoV: 37 to 137°)
	f-Stop	F1.6
	Auto focus	Yes
Network	Mortorised zoom	Yes
	Network interface	RJ-45 10/100 Mbps self-adaptive Ethernet interface
	Integration	ONVIF Profile G, ONVIF Profile S
	Supported network protocols	802.1x, Bonjour, DDNS, DHCP, DNS, FTP, HTTP, HTTPS, ICMP, IGMP, IPv4, IPv6, NTP, PPPoE, QoS, RTCP, RTP, RTSP, SMTP, SNMP, TCP/IP, UPnP
Audio	Live view capabilities	Simultaneous live view up to 20 channels
	Audio compression	G.711alaw, G.711ulaw, G.722.1, G.726, MP2L2,PCM
	Audio in	1 ch 3.5 mm input (line in)
	Audio out	1 ch 3.5 mm output, dual-track, stereo
	Audio bit rate	64Kbps (G.711)/16Kbps(G.722.1)/16Kbps(G.726)/32-192Kbps(MP2L2)

Alarm I/O	Alarm inputs	2
	Alarm outputs	2 (up to 24 VDC, 1 A or 110 VAC, 500mA)
Storage	Local storage type	Built-in Micro SD/SDHC/SDXC card slot
	Max SD card capacity	128 GB
	Snapshots	Event triggered or timed snapshots
Video Intelligence	ROI	4 fixed regions for each stream
	Video analytics	Advanced motion detection, Audio exception detection, Defocus, Electronic Image Stabilization (EIS), Face detection, Intrusion detection, Line crossing detection, Object left behind, Object removal detection, Region entrance detection, Region exiting detection, Region of Interest (ROI), Scene change detection
	VCA source	Camera 1-3 or Camera 2-4
Electrical	Operating voltage	12 VDC ± 20%, 2.3 A, max. 28 W Hi-PoE: 42.5 to 57 VDC, 0.6 to 0.8 A, max. 34W
	Physical	Physical dimensions
Net weight		4.7 kg
Shipping weight		7.7 kg
Colour		Grey
Environmental	Form Factor	Dome
	Impact rating	IK 10
	Environment	Outdoor
	Operating temperature	-40 to +60°C (heater startup at -40°C)
	Relative humidity	<95% non-condensing
Regulatory	IP rating	IP67
	Compliance	CE, cUL, FCC, REACH, RoHS, UL, WEEE, RCM

## Ordering Information

TVS-5101	TruVision Multi-imager panoramic IP camera, 20MP/4x5MP image sensors, 2.8-12 mm motorised lenses, True D/N, 30m IR, Audio, Alarm I/O, IP67, IK10, Heater, Hi-PoE/12VDC
<b>Accessories</b>	
TVMI-WM	TruVision Multi-Imager Camera Wall Mount
TVMI-PM	TruVision Multi-Imager Camera Pendant Mount, 57 mm
TVMI-PM2	TruVision Multi-Imager Camera Pendant Mount, 200 mm
TVMI-PM3	TruVision Multi-Imager Camera Pendant Mount, 500 mm
TVMIA-PMA	TruVision Multi-Imager Camera Pendant Mount Pipe Extension, 500 mm