



MPB-72M0550M0A

Article number: 217718

1/2,8" HD Camera, Day&Night, 1920x1080, Infrared, WDR, 5-50mm, 12/24V, IP67

Mainfeatures

1/2,8" 2 Megapixel SONY STARVIS CMOS-Sensor

Separate outputs for digital and multi-signal

Digital signal: EX-SDI, HD-SDI selectable

Removable infrared cut filter

Integrated motion detector, defog, privacy zones

Easy installation, central locking screw

Resolution max. 1920x1080 (Full HD)

Multisignal: HD-TVI, AHD, CVI and Composite selectable

Motorized lens 5 ~ 50mm, Snap Focus

ROI (Region of Interest) WDR mode

IP67, built heater

IR illumination switchable via OSD menu

Specifications

Camera:

Sensor size	1/2.8"
Resolution pixels	1920x1080, 1280x720, 720x576
Imager	CMOS, Sony STARVIS, Sensor IMX291
System	True Day&Night
Sensitivity	0,08 Lux, at F1.4, 40IRE
Low speed shutter	yes, manual time preselection
Manual electronic shutter (MES)	1/25 ~ 1/30.000sec
Automatic electronic shutter (ESC)	1/25 ~ 1/30.000sec.
Wide Dynamic Range (WDR)	WDR 113dB, Real Time WDR 25/30fps
Flickerless function	yes
Backlight compensation	BLC, HLC

MPB-72M0550M0A

Continued Specifications

IR cut filter	switchable
White balance	automatic, Preset, manual
Signal-to-noise ratio	50dB
Video:	
Video standard	PAL/NTSC
Signal format	Composite (FBAS), HD-TVI, AHD, CVI, EX-SDI (270 Mbps), HD-SDI (1.485 Gbps)
Frame rate	1080 @ 25/30p, 720 @ 50/60p
Synchronization	internal
Lens:	
Lens type	Varifocal (motorized)
Zoom factor	10x
Focal length	5 - 50 mm
Digital zoom	no
MOD (Minimum object distance)	0,5 m
Aperture range (F)	F1.6
Iris control	DC
Vertical angle of view	25 - 4 °
Horizontal angle of view	45 - 7 °
Features:	
Motion detector	yes
OSD function control	OSD camera setup
Menu languages	German, English, Chinese, Japanese, Korean
Privacy zones masking	Areas-ON/OFF switchable
Mirror function	mirror, V flip
Digital Noise Reduction (DNR)	yes
Interfaces / Inputs / Outputs:	
Video outputs	HD-TVI, AHD, CVI, composite (CVBS), EX-SDI, HD-SDI
External connections	voltage input, 1x SDI Signal (BNC), 1x HD/SD Analog Signal (BNC), connection cable approx.100cm
Alarm inputs	no
Alarm outputs	no
Serial interfaces protocols	Pelco C (UTC / HD-TVI)
General:	
Series	eneo Candid Medium
Dimensions (HxWxD)	100x107,8x277mm
Illumination	infrared, 5x High Power LEDs 850nm
Illumination range	approx. 60m
Colour (housing)	Pantone Cool Gray 1C
Housing	outdoor
Housing material	aluminium
Weight	1.35kg
Integrated wall mount	yes
Power consumption	10.5W
Mounting	wall mount, ceiling mount

MPB-72M0550M0A

Continued Specifications

Window heater	yes
Protection rating	IP67
Hidden cable management	yes
Sunshield	yes
Supply voltage	12VDC, 24VAC
Temperature range (operation)	-30°C ~ +50°C
Temperature range (heater deactivated)	-20°C ~ +50°C
Text display	supplied
Vandalism resistant	no
Scope of delivery:	
Parts supplied	manual, drilling template, bag of screws

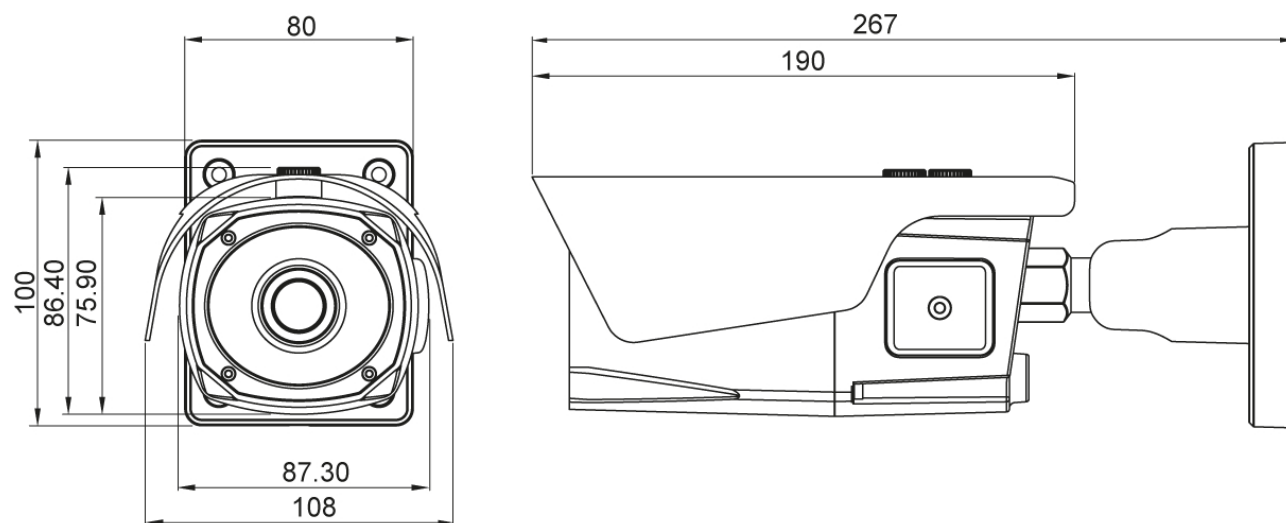
MPB-72M0550M0A

Available Accessories

Image	Prod. No / Label	Description
	202641 / PM-42A	Pole mount adaptor for eneo Candid, Candid S, Candid M, Candid L, W3, WB1, AK-5, AK-4
	202888 / AK-4	Camera junction box, for Candid Small ,Candid Medium, Candid Large Series
	70527 / NE-132/AC24V	Power Supply Unit 230VAC/24VAC (1.0A)
	211257 / HDA-3000E	HD Extender, HD-SDI, EX-SDI, 12V
	212984 / TVA-1201TRA	HD-TVI Transmitter+Receiver, UTP, BNC, 250m, Indoor, Active, 12V
	212985 / TVA-1201TRP	HD-TVI Transmitter+Receiver, 150m, BNC, UTP, Indoor, Passive
	212987 / TVA-1101EA	HD-TVI Signal Amplifier, 12VDC, Indoor
	214236 / TAM-4MM1001M0A	HD-TVI Converter to HDMI, VGA, FBAS, Indoor
	217344 / MAM-5ME1001MTA	Multisignal Converter, HD-TVI , AHD, 960H to IP, H.264, 1920x1080, 12VDC
	218653 / PS12DC-11	Plug-in Power Supply Unit, 100-240VAC/12VDC (1,0A), regulated, with DC Plug

MPB-72M0550M0A

Technical Drawing



Dimensions: mm

Your Contact Person



eneo is a registered trademark of
VIDEOR E. Hartig GmbH
Carl-Zeiss-Straße 8
63322 Rödermark
Deutschland
Tel.: +49 6074-888-333
E-Mail: info@eneo-security.com
Web: www.eneo-security.com